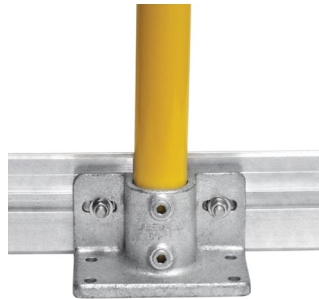


Alternate Base Options



Toe Board Options

Toe board; KEE KLAMP Type 69. Meets OSHA's requirement for toe board. Stainless steel hardware included. Easy to install with no drilling or welding.

Ground Socket Option

Ground Socket; KEE KLAMP Type 66. Designed for concrete installations where uprights are required to be removable. It incorporates a socket set screw fixing on top of flange and can be supplied with a plug to fill the hole when the pipe is removed.



KEEPING A SAFE DISTANCE

Installation Instructions



- PRE ASSEMBLED UPRIGHTS FOR QUICK INSTALLATION
- SAFETY YELLOW COATING FOR HIGH VISIBILITY
- MEETS OR EXCEEDS OSHA AND IBC STANDARDS
- AVAILABLE IN GALVANIZED STEEL OR ALUMINUM

Benefits of the Kwik Kit® System

- Meets or exceeds OSHA requirements for safety railings
- No welding, bending or threading on site
- Sections can be added and changed on site
- The visible advantage of Safety Yellow
- Modular versatile construction
- Installed with simple hand tools

Features of the Kwik Kit® System

- Pre assembled uprights
- Utilizes reliable KEE KLAMP or KEE LITE safety components
- Fitted with KEE KOAT corrosion protected grub screws and THREAD KOAT recess protection
- Pipe outside diameter is 1.90"

	Corner Kit		Straight Kit		Extension Kit	
	Type	Weight (lb.)	Type	Weight (lb.)	Type	Weight (lb.)
Galvanized	Kwik SC	96	Kwik SS	96	Kwik SE	43
Aluminum	Kwik AC	50	Kwik AS	50	Kwik AE	25



USA
Kee Safety, Inc.
100 Stradtman Street
Buffalo, NY 14206
Tel: (716) 896 4949
Fax: (716) 896 5696
Toll Free: (800) 851 5181
www.keesafety.com
Email: info@keesafety.com

Canada
Kee Safety, Ltd.
40 North Rivermede, Units 6-7
Concord, Ontario L4K 2H3
Tel: (905) 669 1494
Fax: (905) 669 4347
Toll Free: (877) 505 5003

Kee Klamp, Kee Lite, Kee Stainless, Kee Guard, Kee Dome, Kee Hatch, Kee Mark, Kee Access, KwikKit, Beam Clamp, and Box Bolt are all registered trademarks of Kee Safety, Inc. While every effort has been made to ensure the accuracy of the information contained in this brochure, Kee Safety, Inc cannot be held responsible for any errors or omissions. Kee Safety, Inc. reserves the right to alter or withdraw products without prior notice. Kee Safety, Inc accepts no responsibility for any loss or damage arising from improper use of their products. Copyright 2015 Kee Safety, Inc. All Rights Reserved.



CSI 077200
March 2015



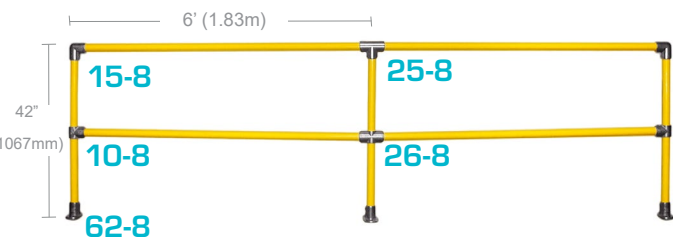
Independently tested to
OSHA Standard 29 CFR 1910.23
Ontario OHS Act
Meets ANSI Standards

KWIK KIT Safety Railing kits allow you to create a sturdy railing section that can stand the test of time. The kits do not require any welding or threading. Preamsembled uprights make installation safe, fast, and easy.

SS Straight Kit Installation Instructions

Kit Includes:

- (3) prebuilt uprights including following:
 - (2) end uprights each containing (1) 15-8, (1) 10-8, (1) Rail
 - (1) intermediate upright containing (1) 25-8, (1) 26-8, (1) Rail
- (3) 62-8 Bases
- (4) Rails - 69" (1.75m) Tubing



1. Insert the 39-3/4" (1010mm) upright cuts into the base 62-8 fittings.
2. Insert the yellow 69" (1.75m) tubing into the 15-8, 10-8, 25-8, and 26-8 fittings
3. Tighten set screws on the fittings to 29 ft/lbs with a standard hex tool
4. Kits are secured using bolts, or chemical anchors. (not supplied by Kee Safety)

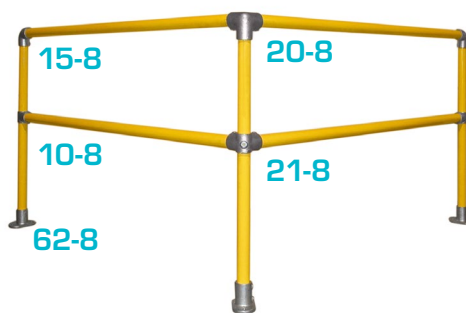
1.



Corner Kit Installation Instructions

Kit Includes:

- (3) prebuilt uprights including following:
 - (2) end uprights each containing (1) 15-8, (1) 10-8, (1) Rails
 - (1) corner upright containing (1) 20-8, (1) 21-8, (1) Rail
- (3) 62-8 Bases
- (4) Rails - 69" (1.75m) Tubing



1. The 39-3/4" (1010mm) upright cuts insert into the base 62-8 fittings.
2. Insert the yellow 69" (1.75m) tubing into the 15-8, 10-8, 20-8, and 21-8 fittings
3. Tighten set screws on the fittings to 29 ft/lbs with a standard hex tool
4. Kits are secured using bolts, or chemical anchors. (not supplied by Kee Safety)

2.



6' Extension Kit Installation Instructions

Kit Includes:

- (1) prebuilt uprights including following:
 - (1) upright containing (1) 25-8, (1) 26-8, (1) Rail
- (1) 62-8 Bases
- (2) Rails - 69" (1.75m) Tubing



1. The 39-3/4" (1010mm) upright cuts insert into the base 62-8 fittings.
2. Insert the yellow 69" (1.75m) tubing into the 25-8, and 26-8 fittings
3. Tighten set screws on the fittings to 29 ft/lbs with a standard hex tool
4. Kits are secured using bolts, or chemical anchors. (not supplied by Kee Safety)

3.

